

## Android 5.1 OTT+IPTV+DVB-C - Design

### front view



please send us your logo file to be printed on the front

### Rear view



- Two USB output included.
- SAT OUT with Loop-through.

### RCU



SIZE:175x45x18mm

please send us your logo file to be printed on the front

## PRODUCT SUMMARY

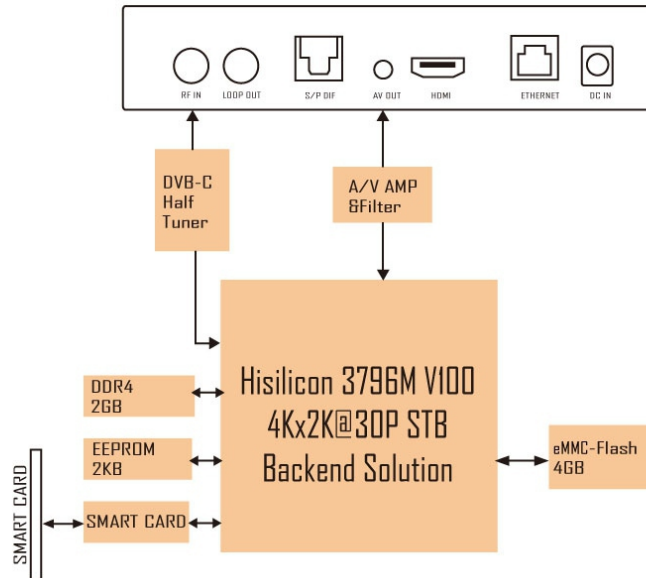
Model No	Aadroid 5.1 OTT+IPTV+DVB-C
CPU	Hisilicon 3796M V100 Quad-core ARM cortex A7, 10,000 DMIPS
Tuner	1xDVB-C
SDRAM	DDR3 1GB
FLASH	4GB (eMMC flash)
Audio L/R	1
Composite	1
Smart Card Slot	Included
SPDIF	1
HDMI	1
HDD	TF CARD
USB 2.0/3.0	1xUSB 2.0 and 1xUSB 3.0
Ethernet	1
CAS	we offer or customer-specific
EPG	7 Days
Buttons	NO
LED	2 (1 Red and 1 Green)
Accessories	Power Adaptor(CE Type),User manual,Gift box, HDMI Cable(1m),Remote Control with batteries

## Android 5.1 OTT+IPTV+DVB-C

### Specification

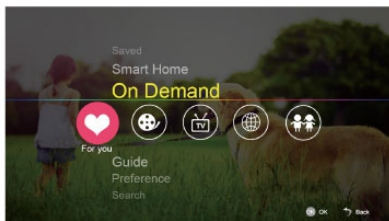
Chipset	Hisilicon 3796M V100 Quad-core ARM cortex A7, 10,000 DMIPS
Flash	4GB eMMC
RAM	DDR3 1GB
Tuner	DVB-C
CAS	we offer or customer-specific
SW	Android 5.1
Rear Output Connectors	-HDMI -AV OUT -LOOP OUT -S/P DIF
Dimension	130mmx130mmx28mm

### Block Diagram

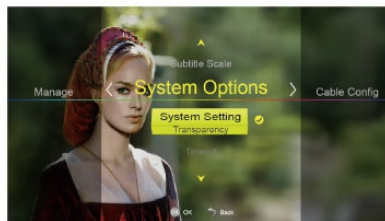


## Interface features

### On Demand



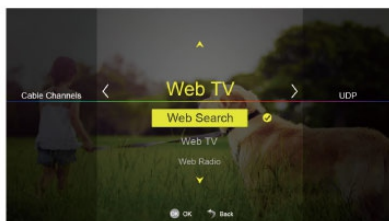
### System Options



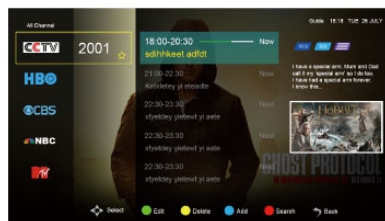
### Last Watched



### Web TV



### EPG



### Apps

